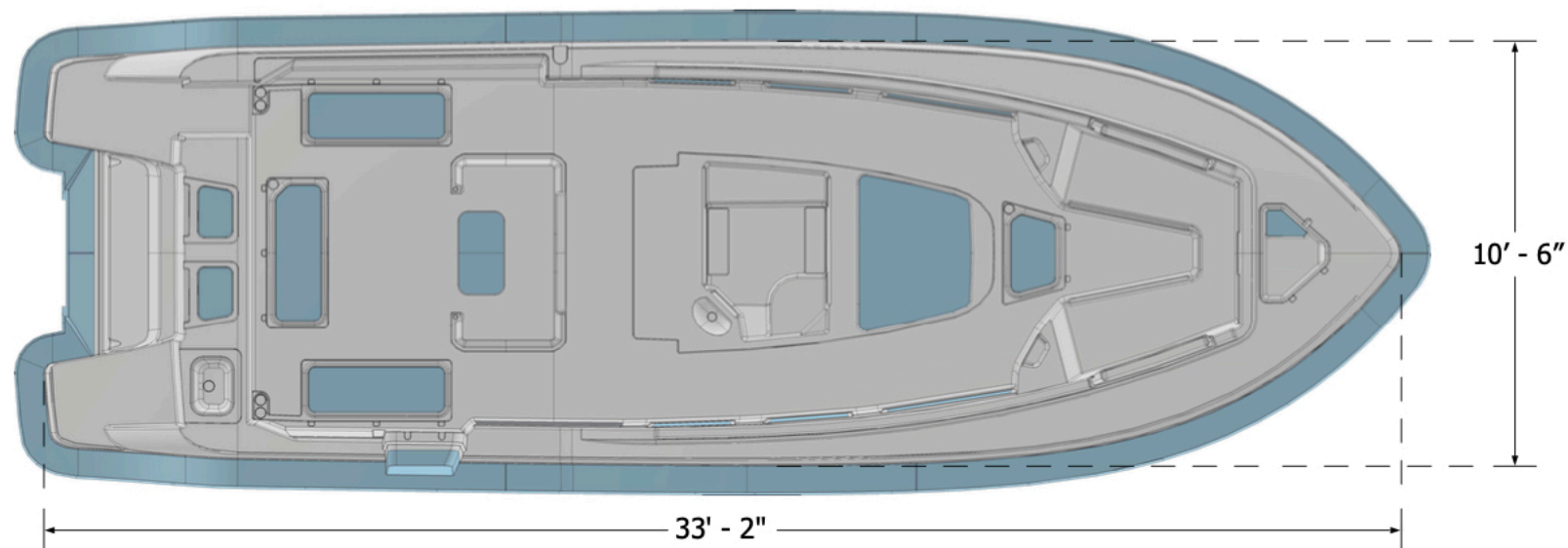
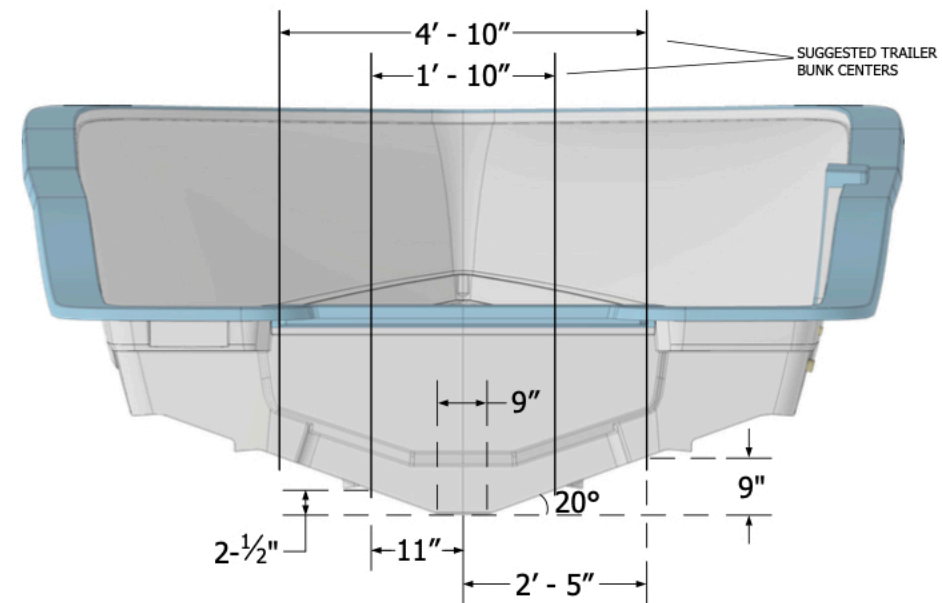


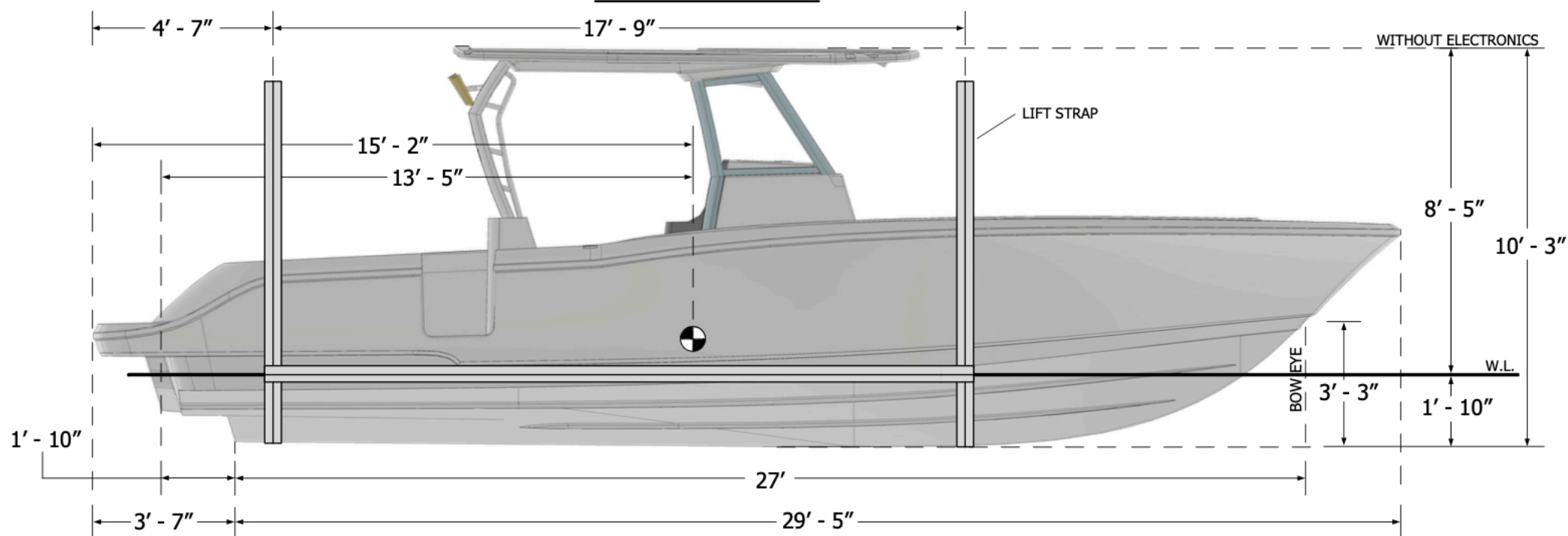
PLAN VIEW



TRANSOM VIEW




PROFILE VIEW



GENERAL NOTES:

1. MOLD FLANGES NOT COUNTED TOWARDS MEASUREMENTS.
2. ACTUAL AND PARTICULAR BOATS WILL VARY BASED ON ACTUAL AS-BUILT CONFIGURATION.
3. SHIPCHECK ALL DIMENSIONS PRIOR TO CONSTRUCTION OF BOATLIFT OR TRAILER.
4. ALWAYS SUPPORT BOAT ON STRINGERS AND BULKHEADS AS DEPICTED.
5. CREVALLE MAKES NO GUARANTEE OR WARRANTY, EXPRESSED OR IMPLIED, REGARDING ACCURACY OF THIS INFORMATION FOR A PARTICULAR BOAT. ALWAYS CHECK MEASUREMENTS ON ACTUAL BOAT.

DRAWN BSM	6/27/2023	
APPROVED NLE	6/28/2023	
REVISED		TITLE TRAILER & LIFT GUIDANCE
CREVALLE BOATS 1520 INDUSTRIAL DR WILDWOOD, FLORIDA 34785 USA		SIZE D MODEL C3 - 33CSF SCALE 1 / 25
		REV 1 SHEET 1 OF 1