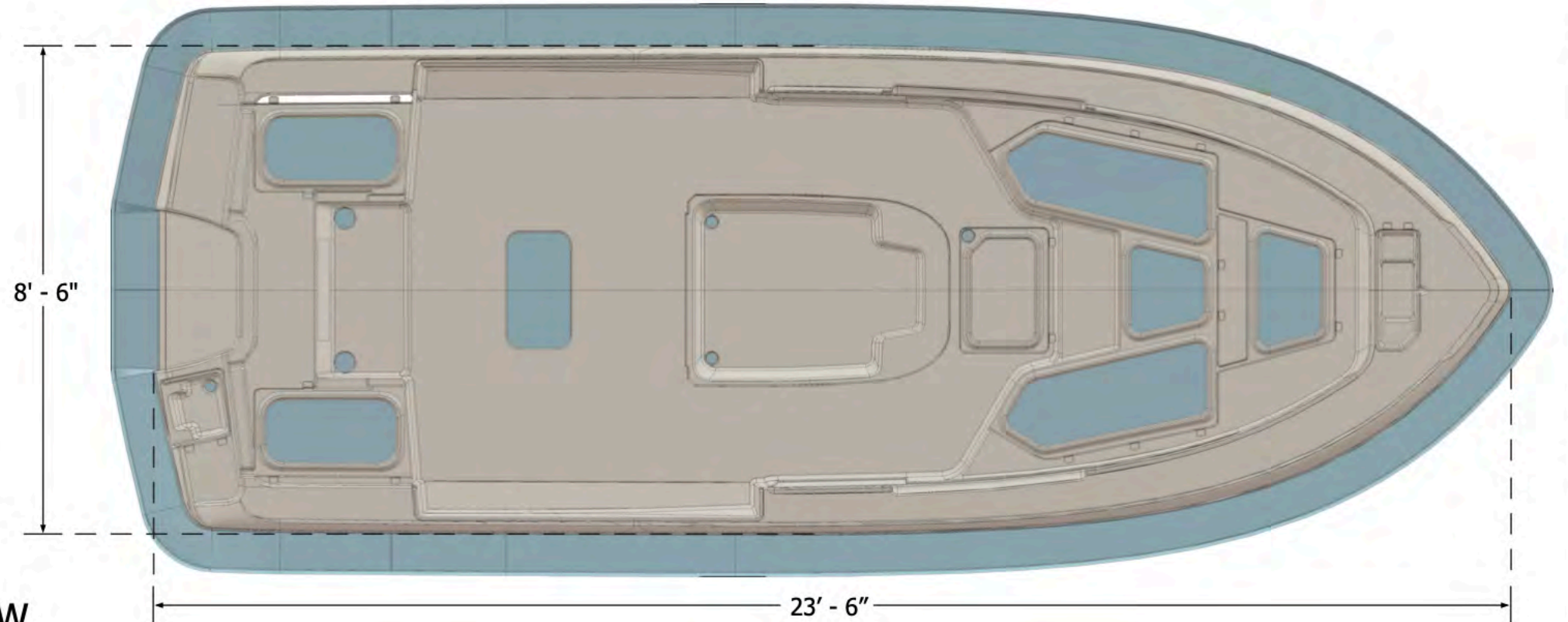


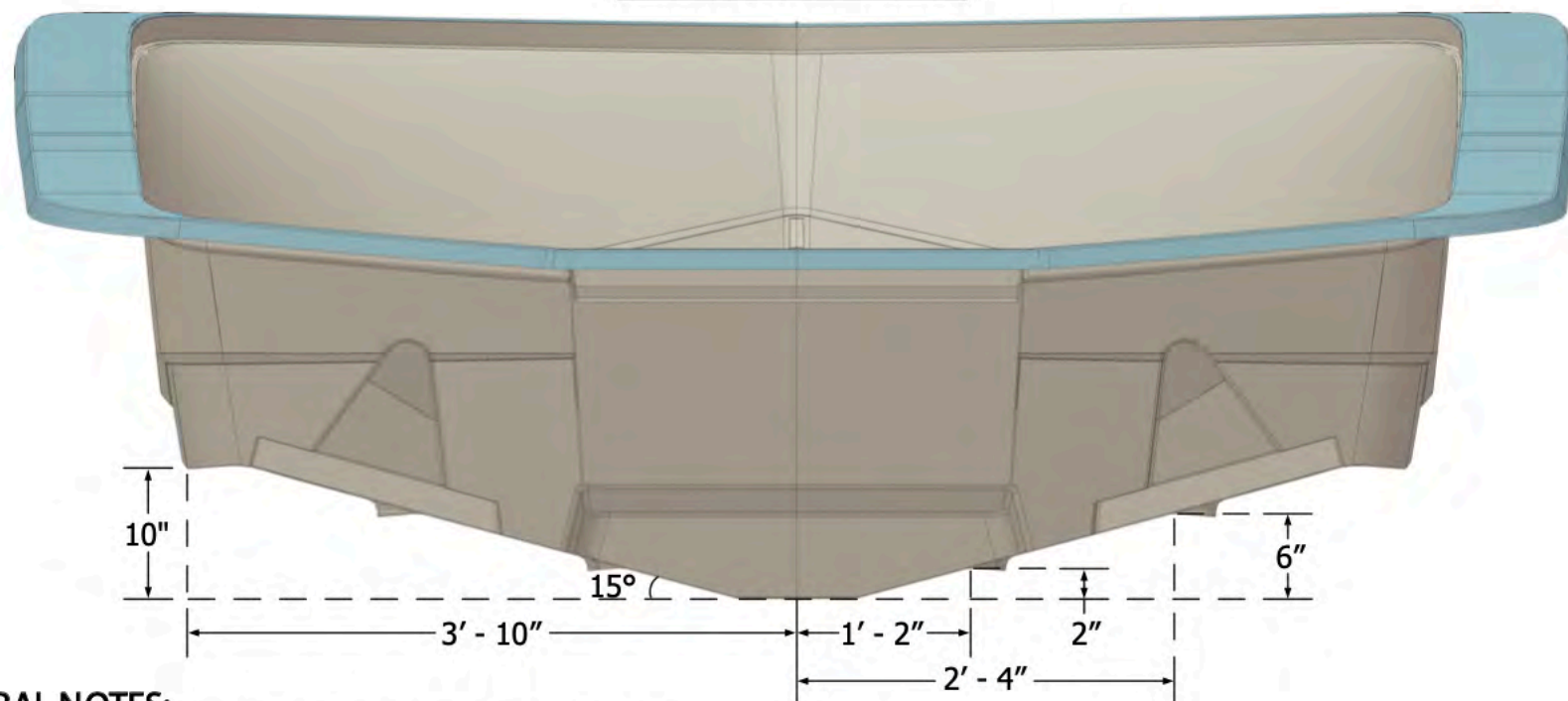
PARTICULARS:

KEEL TO TOP OF HT	8' - 11"
WATER LINE TO TOP OF HT	7' - 9"
KEEL TO BOW EYE	2' - 6"
STERN TO AFT END OF KEEL	1' - 9"
STERN TO C.G.	9' - 9"
TRANSOM TO C.G.	1' - 2"

PLAN VIEW



TRANSOM VIEW



GENERAL NOTES:

1. MOLD FLANGES NOT COUNTED TOWARDS MEASUREMENTS.
2. ACTUAL AND PARTICULAR BOATS WILL VARY BASED ON ACTUAL AS-BUILT CONFIGURATION.
3. SHIPCHECK ALL DIMENSIONS PRIOR TO CONSTRUCTION OF BOATLIFT OR TRAILER.
4. ALWAYS SUPPORT BOAT ON STRINGERS AND BULKHEADS AS DEPICTED.
5. CREVALLE MAKES NO GUARANTEE OR WARRANTY, EXPRESSED OR IMPLIED, REGARDING ACCURACY OF THIS INFORMATION FOR A PARTICULAR BOAT. ALWAYS CHECK MEASUREMENTS ON ACTUAL BOAT.

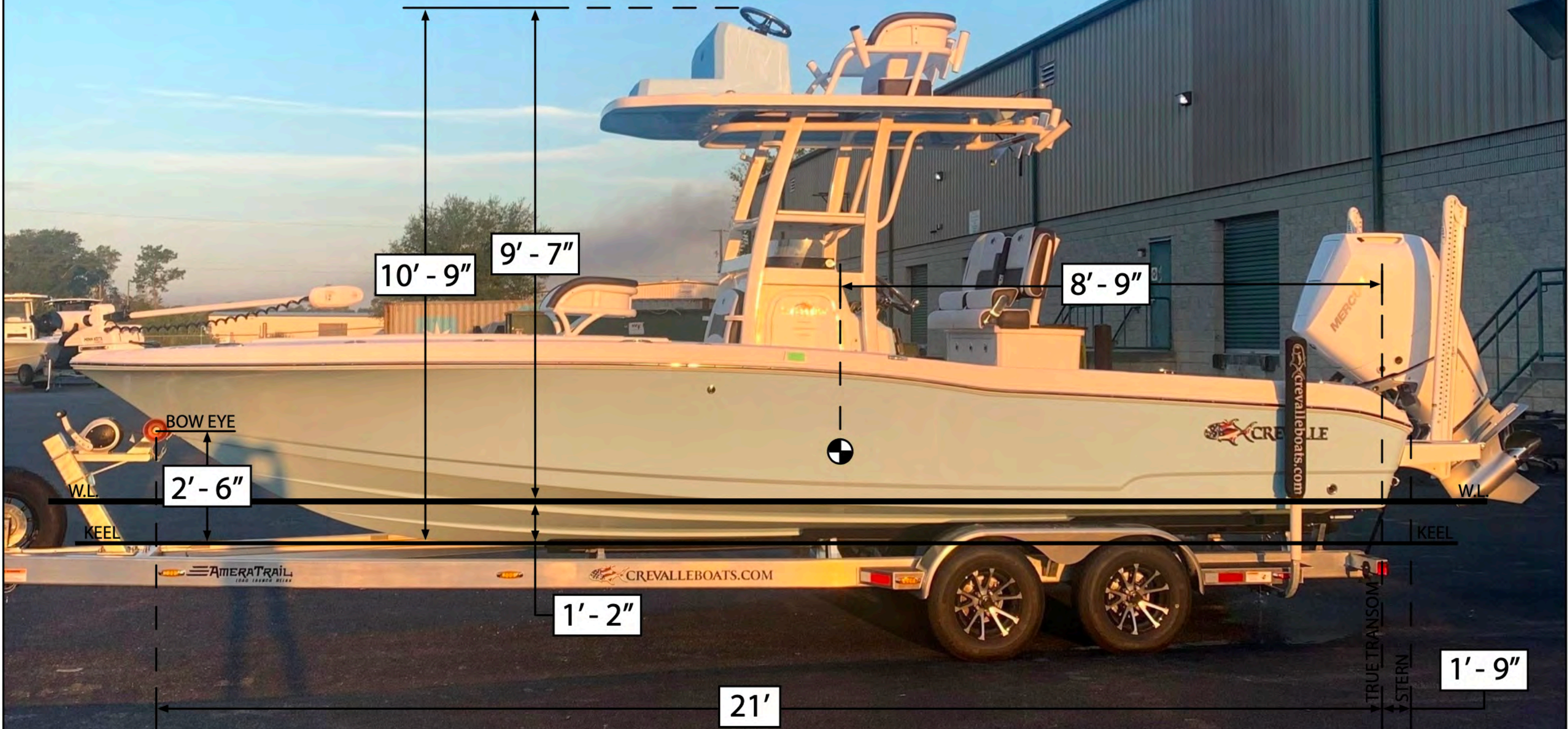
DRAWN BSM	6/28/2023		BOAT DIMENSIONS	
APPROVED NLE	7/11/2023			
REVISED		TITLE		
		SIZE D	MODEL 24' 2ND STATION	REV 1
CREVALLE BOATS 1520 INDUSTRIAL DR WILDWOOD, FLORIDA 34785 USA		SCALE 1 / 25	SHEET 1 OF 2	

GENERAL NOTES:

1. TO HOIST BOAT INTO AIR LIFT AT THE BOW EYE AND STERN EYES.
2. ACTUAL AND PARTICULAR BOATS WILL VARY BASED ON ACTUAL AS-BUILT CONFIGURATION.
3. SHIPCHECK ALL DIMENSIONS PRIOR TO CONSTRUCTION OF BOATLIFT OR TRAILER.
4. ALWAYS SUPPORT BOAT ON STRINGERS AND BULKHEADS AS DEPICTED.
5. CREVALLE MAKES NO GUARANTEE OR WARRANTY, EXPRESSED OR IMPLIED, REGARDING ACCURACY OF THIS INFORMATION FOR A PARTICULAR BOAT. ALWAYS CHECK MEASUREMENTS ON ACTUAL BOAT.

PARTICULARS:

BEAM 8' - 6"
OVERALL LENGTH 23' - 6"



CREVALLE BOATS
1520 INDUSTRIAL DR
WILDWOOD, FL 34785 USA

TITLE: 24' Second Station Boat Side Measurements			
DRAWING NUMBER:	SHEET: 2 OF 2	MODEL: B2 - 24' 2ND STATION	SCALE:
DRAWN BY: BSM	DATE: 7/4/2023	CHECKED BY:	DATE: 7/11/2023
APPROVED BY: NLE		DATE: 7/11/2023	